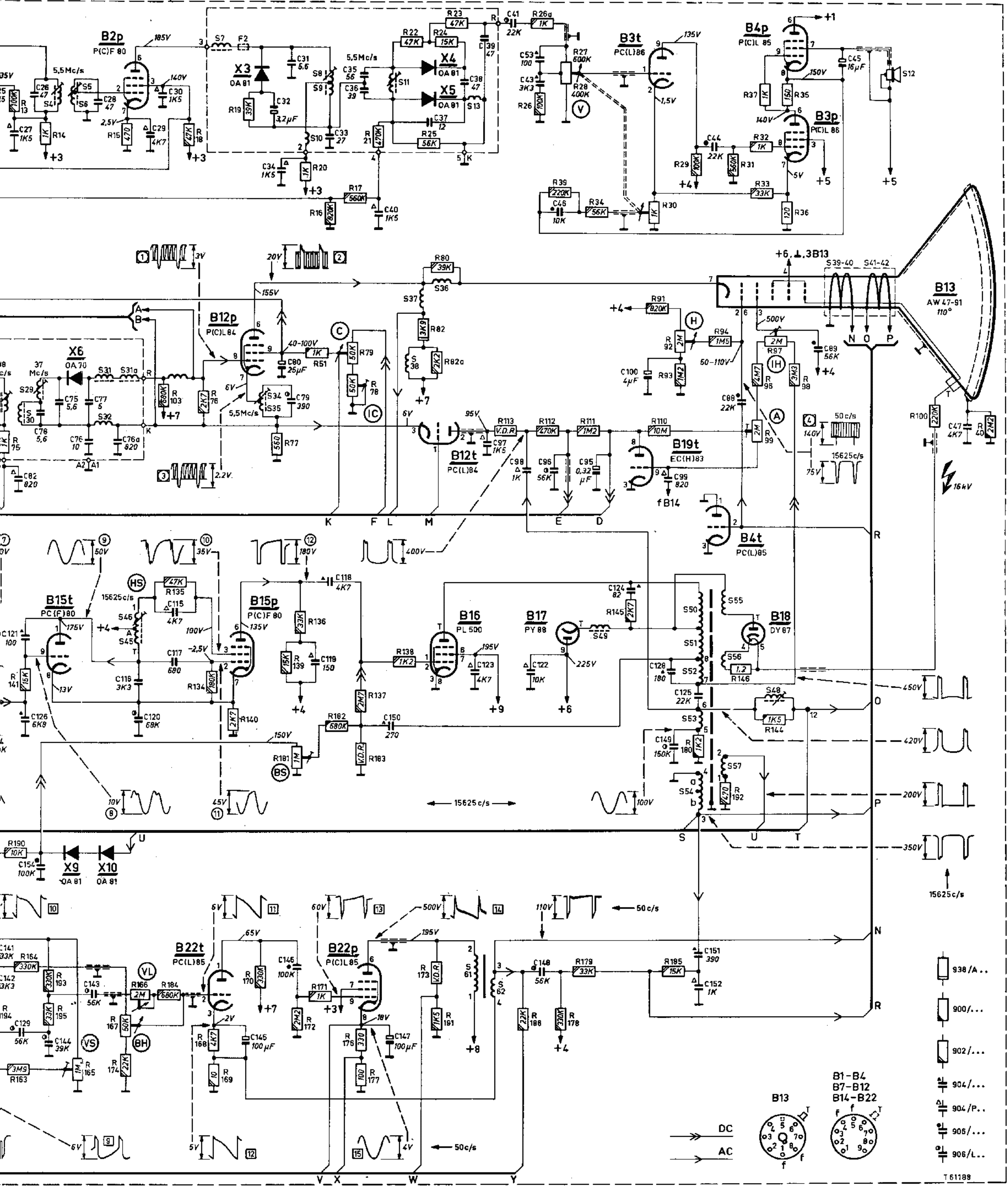


SCHEMA 19TX330A

| | | | | | | | | | | | | | | | | | | | | | | | | | | | | | | | | | | | | | | | | |
|-----|-----|-----|-----|-----|-----|-----|-----|-----|-----|-----|-----|------|-----|-----|-----|---------|----|----|----|----|----|----|-----|----|----|----|----|----|-----|------|----|----|----|----|----|----|----|----|----|---|
| 29 | 30 | 4 | 5 | 6 | 31 | 32 | 31a | 45 | 46 | 33 | 7 | 34 | 35 | 10 | 8 | 9 | 11 | 37 | 38 | 36 | 61 | 13 | 62 | 49 | 50 | 51 | 52 | 53 | 54a | b | 55 | 56 | 57 | 48 | 39 | 40 | 41 | 42 | 12 | S |
| 27 | 28 | 28 | 29 | 30 | 34 | 32 | 31 | 33 | 35 | 36 | 40 | 37 | 38 | 39 | 41 | 43 | 46 | 97 | 98 | 53 | 96 | 95 | 100 | 99 | 88 | 89 | 44 | 45 | 47 | 1-50 | | | | | | | | | | |
| 121 | 129 | 126 | 116 | 120 | 115 | 117 | 80 | 79 | 119 | 118 | 123 | 122 | 124 | 128 | 125 | 101-130 | C | | | | | | | | | | | | | | | | | | | | | | | |
| 142 | 154 | 144 | 143 | 145 | 146 | 150 | 147 | 148 | 149 | 151 | 152 | 131- | | | | | | | | | | | | | | | | | | | | | | | | | | | | |



| | | | | | | | | | | | | | | | | | | | | | | | | | | | |
|-----|-----|-----|-----|-----|-----|-----|-----|-----|-----|-----|-----|-----|-----|-----|-----|---------|-----|-----|-----|-----|-----|-----|-----|-----|-----|--------|------|
| 13 | 14 | 15 | 16 | 19 | 20 | 16 | 17 | 21 | 22 | 25 | 24 | 23 | 26 | 26a | 27 | 28 | 34 | 30 | 29 | 31 | 37 | 32 | 33 | 35 | 36 | 40 | 1-50 |
| 75 | 76 | 76 | 77 | 51 | 79 | 78 | 82 | 80 | 82a | 113 | 112 | 111 | 145 | 110 | 146 | 144 | 91 | 92 | 93 | 94 | 96 | 99 | 97 | 98 | 100 | 51-100 | |
| 141 | 135 | 103 | 134 | 140 | 139 | 136 | 137 | 138 | 113 | 112 | 111 | 145 | 110 | 146 | 144 | 101-150 | R | | | | | | | | | | |
| 83 | 190 | 164 | 193 | 195 | 165 | 167 | 174 | 166 | 184 | 168 | 169 | 170 | 181 | 172 | 171 | 182 | 177 | 183 | 173 | 191 | 166 | 178 | 179 | 185 | 180 | 192 | 151- |